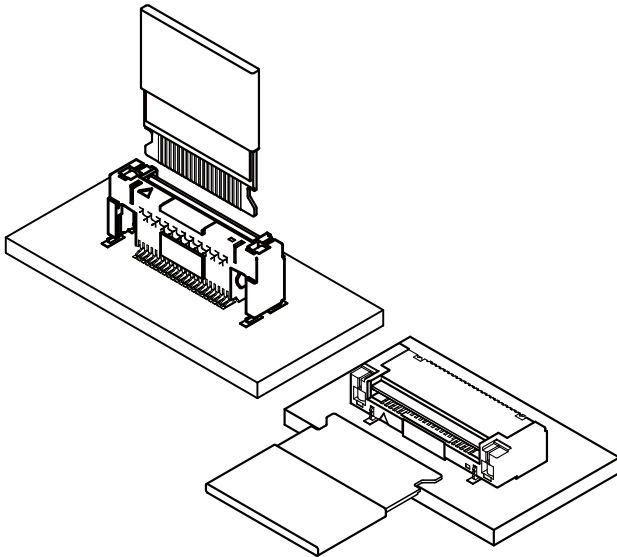


FHTG CONNECTOR

0.5 mm pitch/Connectors for PC board/ For FFC, Non-ZIF Type



By providing a unique lock mechanism for confirming the mating, it is possible to insert the FFC with one action and pull out the FFC without unlocking, realizing good workability.

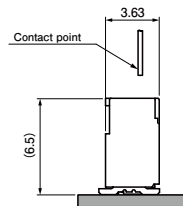
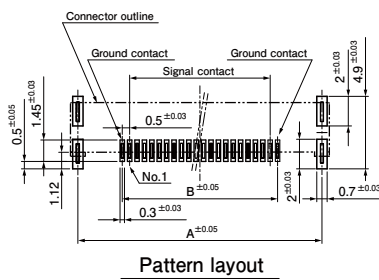
- Lock mechanism requiring no unlocking operation when pulling out
- Completion of FFC insertion can be visually confirmed.
- Compatible with shielded FFC
- Improvement of FFC guide performance and retention force against routing

Specifications

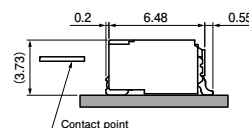
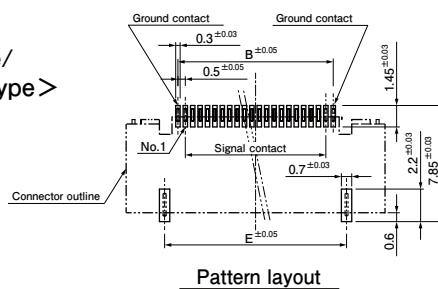
- Current rating: 0.5 A AC/DC
- Voltage rating: 50 V AC/DC
- Temperature range: -25°C to +85°C
(including temperature rise in applying electrical current)
- Contact resistance: Initial value/100 mΩ max.
After environmental tests/130 mΩ max.
- Insulation resistance: 50 MΩ min.
- Withstanding voltage: 200 VAC/minute
- Applicable FFC: Conductor pitch/0.5 mm
Conductor width/0.3 mm
Mating part thickness/0.3 ± 0.05 mm
- * Confirm the applicability of the connector with the FFC used, before use.
- * In using the products, refer to "Handling Precaution for Terminals and Connectors" described on our website (Technical documents of Product information page).
- * RoHS2 compliance
- * Dimensional unit: mm
- * Contact JST for details.

PC board layout and Assembly layout

<Top entry type>



<Side entry type/
Down-facing type>

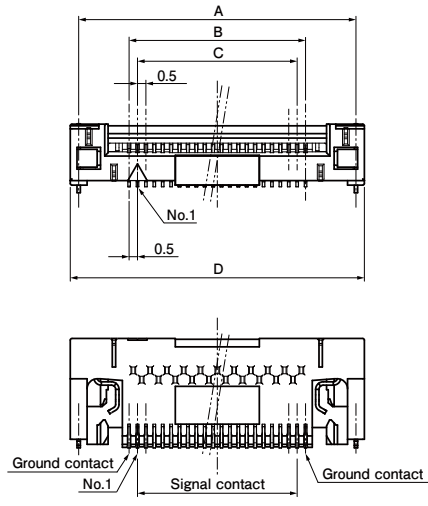


- Note:1. The above figure is the figure viewed from the connector mounting side.
2. Tolerances of pattern pitch on the PC board shall be ±0.05 mm and not be accumulative.
Please contact JST for details as the dimensions shown in the above figure are reference values.

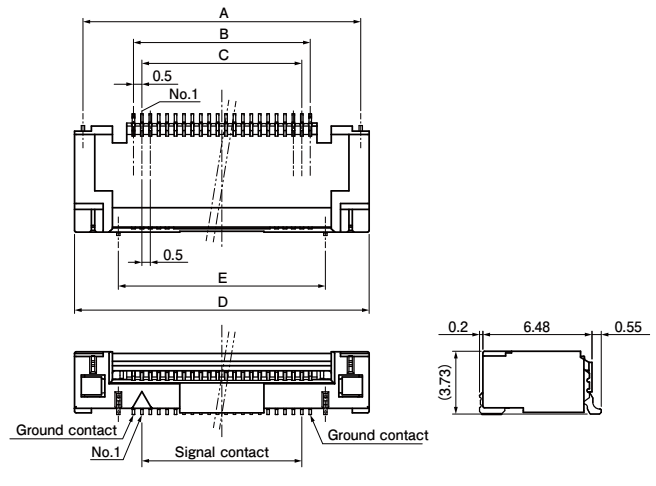
FHTG CONNECTOR

Connector

<Top entry type>



<Side entry type/Down-facing type>

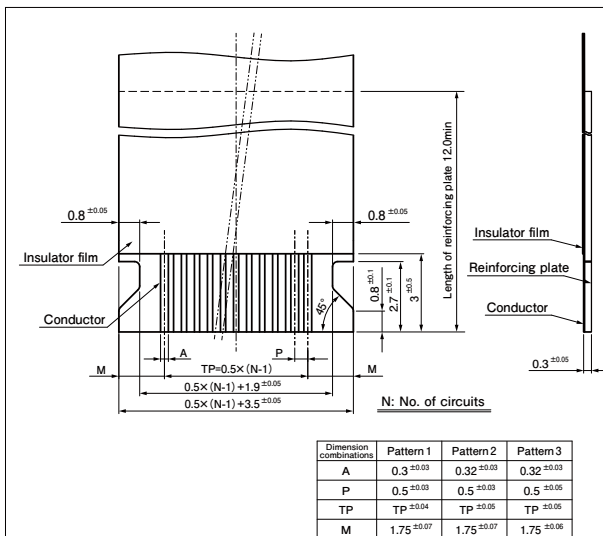


No. of circuits	Model No.		Dimensions (mm)					Q'ty/reel	
	Top entry type	Side entry type/Down-facing type	A	B	C	D	E	Top entry type	Side entry type/Down-facing type
20	20FHTG-TSMG-GANS-TF (HF)	20FHTG-RSMG-GANS-TB (HF)	16.5	10.5	9.5	17.5	12.3	1,000	1,600
30	30FHTG-TSMG-GANS-TF (HF)	30FHTG-RSMG-GANS-TB (HF)	21.5	15.5	14.5	22.5	17.3	1,000	1,600
40	40FHTG-TSMG-GANS-TF (HF)	40FHTG-RSMG-GANS-TB (HF)	26.5	20.5	19.5	27.5	22.3	1,000	1,600
50	50FHTG-TSMG-GANS-TF (HF)	50FHTG-RSMG-GANS-TB (HF)	31.5	25.5	24.5	32.5	27.3	1,000	1,600

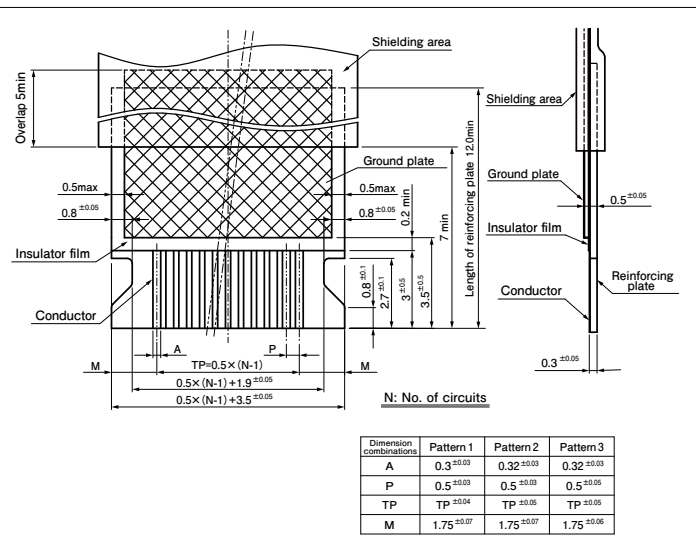
Material and Finish

Housing: Heat resisting resin, UL94V-0
 Signal contact: Copper alloy, nickel-undercoated, selective gold-plated
 Ground contact: Copper alloy, copper-undercoated, tin-plated
 Lock arm: Copper alloy, tin-plated
 Reinforcing tab: Copper alloy, copper-undercoated, tin-plated

Lead section dimension of FFC



<Non-shielded FFC>



<Shielded FFC>

※ Contact JST for details.