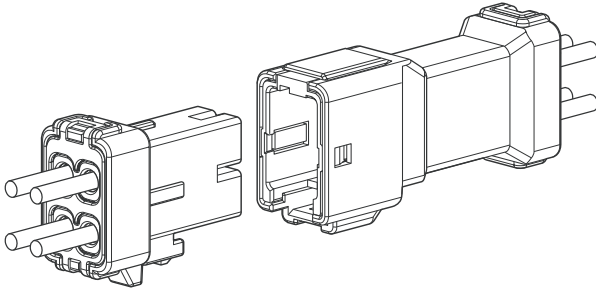


JWPS CONNECTOR

4.0mm pitch/Disconnectable Crimp style Wire-to-wire connectors (waterproof type)



This JWPS connector can be used for the place of which especially waterproof is required.

This is the wire-to-wire connector that is grade 7 ingress protection of JIS C 0920 (IPX7 of IEC 60529).

- ***Waterproof performance***
- ***Contained seal ring***
- ***Solid rubber seal***
- ***Double-spring construction***
- ***Housing-to-terminal locks***
- ***Mis-mating prevention key***

Specifications

- Current rating: 4 A AC, DC (AWG #22)
: 5 A AC, DC (AWG #20)
: 6 A AC, DC (AWG #18)
- Voltage rating: 300 V AC, DC
- Temperature range: -55°C to +85°C
(including temperature rise in applying electrical current)
- Applicable wire: Conductor size/ AWG #22 to #18
Insulation O.D./ 1.75 to 2.5 mm
- Waterproof grade: Grade 7 ingress protection of JIS C 0920
(IPX7 of IEC 60529)


* Refer to "General Instruction and Notice when using Terminals and Connectors" at the end of this catalog.

* Contact JST for details.

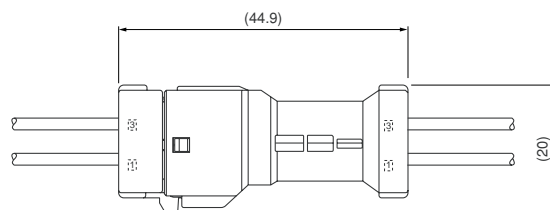
* Compliant with RoHS.

Standards

 Recognized E60389

 R 50218382

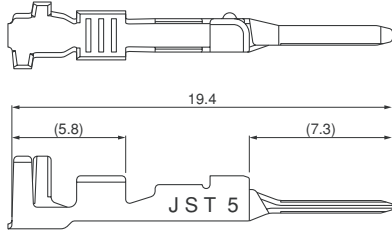
Assembly layout



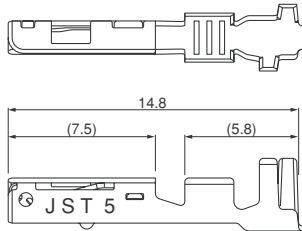
JWPS CONNECTOR

Contact

Tab contact



Receptacle contact



Model No.		Applicable wire	Insulation	Q'ty/ reel
Tab contact	Receptacle contact	AWG#	O.D. (mm)	
SJWPST-21T-M1.0N	SJWPSR-21T-P1.0	22~18	1.75~2.5	4,500

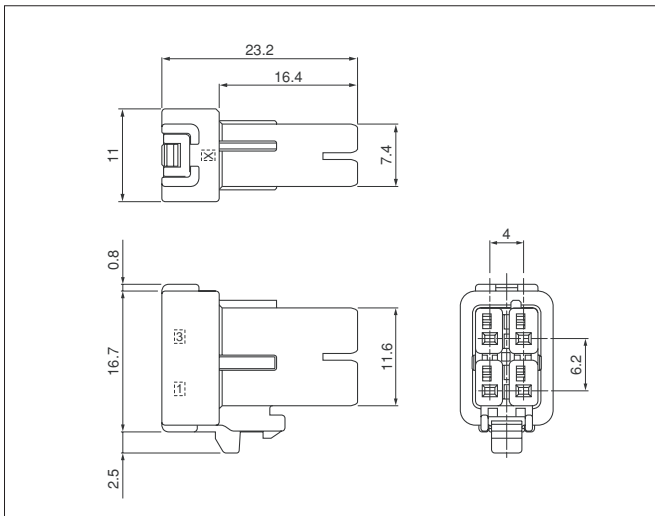
Material and Finish

Copper alloy, tin-plated

RoHS compliance

Contact	Crimping machine	Applicator		
		Crimp applicator	Dies	Crimp applicator with dies
SJWPST-21T-M1.0N	AP-K2N	MKS-L	MK/SJWPSR/T-21-10	APLMK SJWPSR/T21-10
		—	—	—
SJWPSR-21T-P1.0	AP-K2N	MKS-L	MK/SJWPSR/T-21-10	APLMK SJWPSR/T21-10
		—	—	—

Receptacle housing assembly



Circuits	Keying	Model No.	Q'ty/box
4	X	04R-JWPS-VKLE-DX-A	400
	Y	04R-JWPS-VSLE-DY-A	400
	Z	04R-JWPS-VELE-DZ-A	400

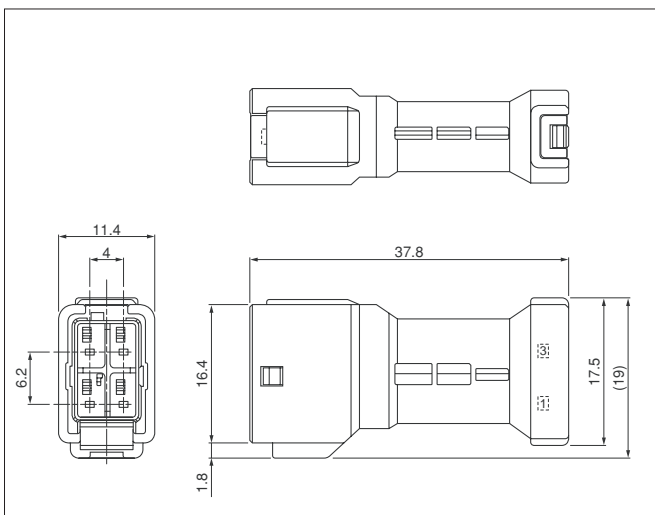
Material

Receptacle housing: Glass-filled PBT, UL94V-0, X-Keying (black), Y-Keying (natural), Z-Keying (blue)
 Retainer: PBT, UL94V-0, purple
 Seal rubber plate: Silicone rubber, light blue

RoHS compliance

Note: Seal rubber plate and retainer are preassembled in receptacle housing assembly.

Tab housing assembly



Circuits	Keying	Model No.	Q'ty/box
4	X	04T-JWPS-VKKLE-DX-A1	180
	Y	04T-JWPS-VKSLE-DY-A1	180
	Z	04T-JWPS-VKELE-DZ-A1	180

Material

Tab housing: Glass-filled PBT, UL94V-0, black
 Seal ring holder: Glass-filled PBT, UL94V-0, X-Keying (black), Y-Keying (natural), Z-Keying (blue)
 Retainer: PBT, UL94V-0, purple
 Seal ring: Silicone rubber, brown
 Seal rubber plate: Silicone rubber, right blue

RoHS compliance

Note: Seal rubber plate, retainer, seal ring and seal ring holder are preassembled in tab housing assembly.