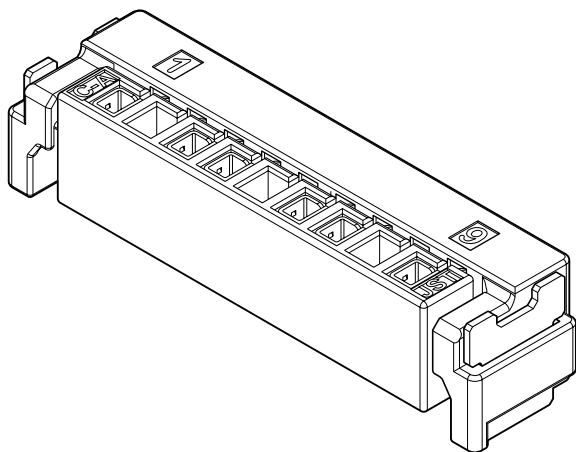


# HVD CONNECTOR

Board-to-board



0.64 unsealed alignment-free, low profile surface mount connector for automobile applications.



## Features

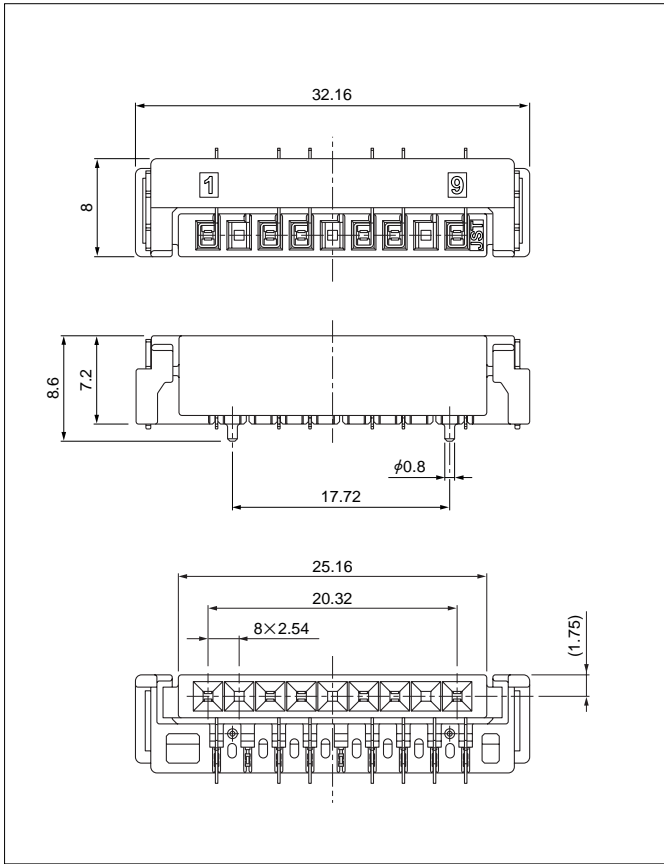
- Low profile Surface mount Board-to-board Connectors, Compliant with Automotive Performance Specifications
- Accepts 0.64 Male Blade
- Misalignment absorption feature
- Variations  
Up to 9 positions in any configuration
- Lead Free Reflow capable

## Specifications

- Current rating: 4.5 A DC max.
- Voltage rating: 14 V DC
- Temperature range: -40°C to +125°C  
(including temperature rise in applying electrical current)
- Contact resistance: Initial value/15 mΩ max.  
After environmental tests/15 mΩ max.
- Insulation resistance: 100 MΩ min.

\* Compliant with ELV/RoHS2.  
\* Contact JST for details.

## Connector

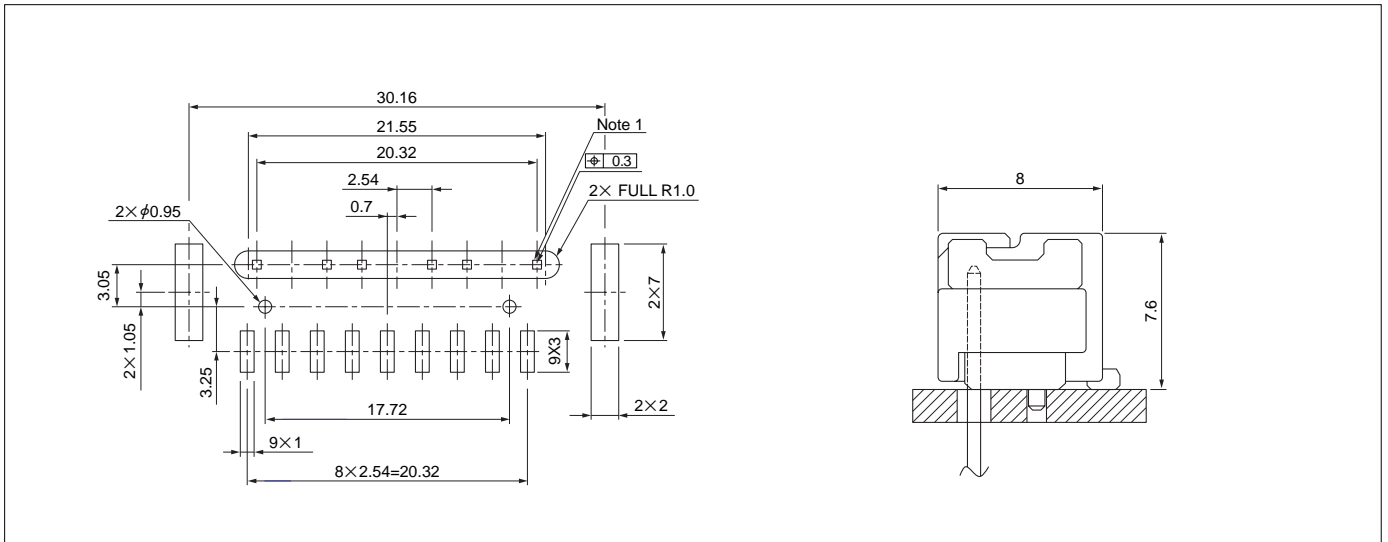


Circuits	Model No.	Q'ty/box	Housing Color
6	09HVD6B-EMGF-NR	2,700	Brown

### Material and Finish

Housing: PPS  
 Terminal: Copper alloy, tin-plated, selective gold-plated  
 Reinforcement: Brass, tin-plated

## PC board layout, Assembly layout



- Note: 1. 0.64 pins comply with EWCAP\_001. Au plated.  
 2. Tolerances are non-cumulative:  $\pm 0.05$  mm for all centers (for PC board layout).  
 3. Hole dimensions differ according to the type of PC board and piercing method.  
 The dimensions above should serve as guideline. Contact JST for details.